

QUICK INSTALLATION GUIDE



VIKING COMPONENTS 56K DATA/FAX PCI MODEM

INTRODUCTION

Congratulations and thank you for purchasing this multi-functional, high-speed data/fax modem. It uses the latest in analog communication technologies to offer high performance and reliable transmission. It is based on the ITU-T standards offering worldwide compatibility. This data/fax modem will transform your computer into a high-speed communication center by offering the following key functions:

Data Communication: You can connect at high speeds of up to 56,000 bps* to Internet, online services and BBSs that support the V.90 or K56Flex standard. It allows you to connect to other PCs or networks for your telecomputing tasks.

Fax Communication: You can conveniently send and receive faxes right from your computer at speeds of up to 14,400 bps.

FACTS ABOUT 56K MODEMS

1. 56 Kbps speed is only possible "downstream," that is from ISP to user. The speed from user to ISP will be limited to 33.6 Kbps.

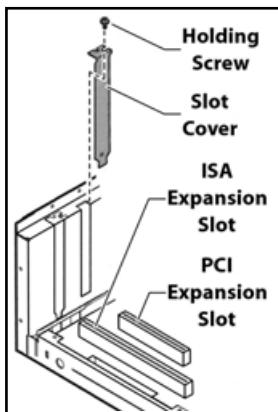
2. This modem supports the V.90 and K56Flex standard, which is supported by Lucent Technologies and Rockwell International.

*The actual maximum downstream speed is 53.3 Kbps because of current FCC restrictions.

HARDWARE INSTALLATION

Note: Before installing any new hardware, Microsoft recommends you create or update your start-up disk. Please see Microsoft documentation or your system administrator for this procedure.

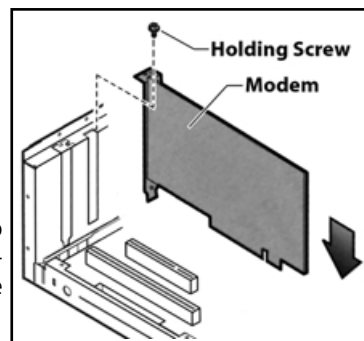
1. Shut down your computer and remove all cables connected to the computer.



2. Remove the cover on your computer to expose the PCI Bus expansion slots. If you are unfamiliar with this procedure, please refer to your computer's "Owner's Guide."

3. Locate an available PCI expansion slot on the system board.

4. The expansion slot that you are upgrading into may have a slot cover in place. This cover will need to be removed before the modem can be installed. Locate the slot cover holding screw and remove it with a screwdriver. Then remove the slot cover by pulling it up.



5. Remove the modem from the anti-static bag.

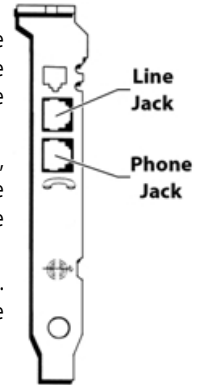
6. Insert the modem into available PCI expansion slot. To ensure that the modem is correctly seated, use evenly distributed pressure to firmly press down on the top edge of the modem. Replace and secure the holding screw.

1

7. Identify the jacks on the back of the modem. The top jack is the "Line" jack. The bottom jack is the "Phone" jack. Connect the telephone cable from the wall to the "Line" jack. If you wish to connect an external telephone to your modem, use the "Phone" jack.

Note: When connecting an external telephone to the "Phone" jack on the modem, the telephone will function normally when the computer is on or off. However, the phone and the modem can not be used at the same time if they share the same phone line.

8. Replace the computer's cover and any holding screws that you may have removed. Replace any cables that you may have removed. Now your computer can be switched on.



MODEM DRIVER INSTALLATION

Driver updates and AT Commands can be found at: www.vikingcomponents.com

For Systems Using Windows 98:

After you install your modem, start Windows 98. Windows 98 informs you that a *Modem was found*. Perform the following steps to complete its configuration:

1. The "Add New Hardware Wizard" will be displayed. Click on the "Next" button.

2. You will then receive the message "What do you want Windows to do?" Select "Search for the best driver for your device." Insert the supplied Windows 95 & 98 modem driver installation diskette into your computer's floppy disk drive. Then click on the "Next" button. **Note: Don't choose, "Display a list ..."**

3. Windows will now search for a new driver. Mark "Specify a Location" and select your computer's floppy disk drive.

4. Windows is now ready to install the best driver. Click on the "Next" button.

5. Windows will finish installing the software that your new hardware device requires. Click on the "Finish" button.

6. When prompted, restart your computer. Be sure to remove the modem driver installation diskette from your computer's floppy disk drive.

7. The modem is now installed. To test the modem, select "Control Panel/Modems/Diagnostics" and then highlight the "COM Port" and select "More info." The modem should respond with a list of AT commands.

The modem driver installation is now complete. For information on using this modem with your communication software (not supplied), please refer to its documentation.

For Systems Using Windows 95:

After you install your modem, start Windows 95. Windows 95 informs you that a *Modem was found*. Perform the following steps to complete its configuration:

1. Choose the option "Drivers From Disk Provided By Hardware Manufacturer" and click "OK."

2. In an available floppy disk drive, insert the supplied Windows 95 & 98 modem installation diskette and click "OK."

3. When prompted, restart your computer.

4. The modem is now installed. To test the modem, select "Control Panel/Modems/Diagnostics" and then highlight the "COM Port" and select "More info." The modem should respond with a list of AT commands.

The modem driver installation is now complete. For information on using this modem with your communication software (not supplied), please refer to its documentation.

2

For Systems Using Windows NT 4.0:

Note: You will need to have Service Pack 3 or greater installed, before using the following procedure. Service Pack 3 is provided by Microsoft. Also "Plug-n-Play" operating system must be disabled before the drivers for this modem can be installed.

1. Power the computer on and log-on into Windows NT as "Administrator."
 2. Insert the supplied Windows NT 4.0 modem driver installation diskette into your computer's floppy disk drive. Double click on the "My Computer" icon on your computer's desktop. Locate and double click on the "3.5 Floppy" icon.
 3. Locate and double click on the "Install" icon to launch the installer program. Click on the "Setup" button and follow the onscreen instructions to complete the driver installation procedure. Before the computer reboots, be sure to remove the modem driver installation diskette from your computer's floppy disk drive.
- The modem driver installation is now complete. For information on using this modem with your communication software (not supplied), please refer to its documentation.

ONLINE REGISTRATION

Viking Components invites our customers to register their products on-line at the Viking Components web site. This can be accomplished quickly and easily by visiting our online registration page at:

www.vikingcomponents.com/products/registration.html

The information you supply helps us to provide prompt and professional technical support and allows Viking to offer our customers the latest service updates, technical and product information. Viking is always interested in the customer's opinion because it can assist us in determining future products.

If you require assistance in the registration process or have any questions, please contact Viking Technical Support at: 888-801-9181.

WARRANTY & DISCLAIMERS

5 YEAR WARRANTY

All Viking Components products have been thoroughly tested to be free of defects in material and workmanship. If any malfunction should occur while used in its recommended environment, Viking, at its option, will repair or replace this product at no charge, provided the product or any part thereof has not been abused, misused, neglected, replaced, repaired or modified. Viking shall make the final determination as to the existence and cause of any defect. Viking will not repair or replace products designated as having a "Limited Lifetime" which fail solely because their estimated life has expired. No warranty is made with respect to customer products produced to original purchaser specifications except as specifically stated in writing by Viking.

All shipping costs shall be the responsibility of the purchaser. Except as provided herein, there are no express or implied warranties of merchantability or fitness for a particular purpose. Under no circumstances will Viking Components be liable in any way to any purchaser for any damages, including but not limited to lost revenue, lost wage, or any other incidental or consequential damages arising out of the use of or inability to use this product. **Viking reserves the right to make modifications in both hardware and software without prior notifications.**

Windows and Windows NT are registered trademarks of the Microsoft Corporation.
All other trade marks are the property of their respective owners.

COMMUNICATION REGULATIONS

FCC WARNING STATEMENT

Note: This equipment has been tested and found to comply with the limits for Class B digital device, pursuant to Part 15 of the FCC Rules. These limits are designed to provide reasonable protection against harmful interference in a residential installation. This equipment generates, uses and can radiate radio frequency energy and, if not installed and used in accordance with the instructions, may cause harmful interference to radio communications. However, there is no guarantee that interference will not occur in a particular installation. If this equipment does cause harmful interference to radio or television reception, which can be determined by turning the equipment off and on, the user is encouraged to try to correct the interference by one or more of the following measures:

- Reorient or relocate the receiving antenna.
- Increase the separation between the equipment and receiver.
- Connect the equipment into an outlet on a circuit different from that to which the receiver is connected.
- Consult the dealer or an experienced radio/TV technician for help.

Shielded interface cables must be used in order to comply with the emission limits.

CAUTION: CHANGES OR MODIFICATIONS NOT EXPRESSLY APPROVED BY THE PARTY RESPONSIBLE FOR COMPLIANCE COULD VOID THE USER'S AUTHORITY TO OPERATE THE EQUIPMENT.

TESTED TO COMPLY WITH FCC STANDARDS

FCC Part 68

Ringer Equivalence: 0.9B

Please look on your modem for the FCC Part 68 number.

The user may find the following booklet prepared by the Federal Communications Commission helpful: "How to Identify and Resolve Radio-TV Interference Problems" (Stock No 00400003454). This booklet is available from the U.S. Government Printing Office, Washington D.C. 20402.

FCC Regulation, Part 68 places the following restrictions on using this class of equipment:

It is prohibited to connect the modem to party lines or coin operated telephone services. Part 68 also requires that shielded cables must be used for connection of any device external to this product.

Notifying the telephone company prior to connecting a modem is not required; however, at the telephone company's request, indicate to which line it is connected. You should also provide the registration number and ringer equivalence, both of which are shown on the back of the board.

DOC Notice (For Canada):

The Canadian Department of Communications (DOC) label identifies certified equipment. This Certification means that the equipment meets certain telecommunication network protective operational and safety requirements. The Department does not guarantee the equipment will operate to the user's satisfaction.

Before installing this equipment the user should ensure that it is permissible to be connected to the facilities of the local telecommunications company. This equipment may also be installed using an acceptable method of connection. In some cases, the company's inside wiring associated with a single line individual service may be extended by means of a certified connector assembly (telephone extension cord). The customer should be aware that compliance with these conditions may not prevent degradation of service in some situations.

Repairs to certified equipment should be made by an authorized Canadian maintenance facility designated by the supplier. Any repairs or alterations made by the user to this equipment, or any equipment malfunctions, may give the telecommunications company cause to disconnect the equipment.

Users should ensure for their protection that the electrical ground connections of the power utility, telephone lines and internal metallic water pipe system, if present, are connected together. This precaution may be particularly important in rural areas.

CAUTION: Do not attempt to make such connections yourself; contact the appropriate inspection authority or electrician.

LOAD NUMBER(LN): DS560-548,DS560-548L,DS560-552,DS560-552L: 0.9B

The Load Number assigned to each terminal device denotes the percentage of the total load to be connected to a telephone loop used by the device, without overloading. The termination of a loop may consist of any combination of devices subject only to the requirement that the total of the Load Numbers of all devices does not exceed 100. This requirement is to prevent overloading of the telephone loop.

This digital apparatus does not exceed the Class B limits for the radio noise emissions from the digital apparatus set out in the Radio Interference Regulation of the Canadian Department of Communication.

Le present appareil numerique n'emet pas de bruits radioelectriques depassant les limites applicables aux appareil numerique de la classe B prescrites dans le Reglement sur le brouillage radioelectrique edicte par le ministere des Communication du Canada.

CAUTION: Always disconnect modem from telephone system when installing or when covers are removed from the host product.

Attention: Debrancher la carte modem du reseau telephonique lors de l'installation les couvercles de l'appareil hote sont enleves.

CONTACTING VIKING COMPONENTS

U.S. Headquarters
3020 Avenida de las Banderas
Rancho Santa Margarita, CA 92688
Phone: 949.643.7255 • Fax: 949.643.7274
24-hour Technical Support: 888.801.9181
www.vikingcomponents.com

Copyright © 1999 Viking Components, Inc.
Manual No. 1005286 • Release 11.1999, Rev. B
(Viking P/N: RFM56KPCIP)

